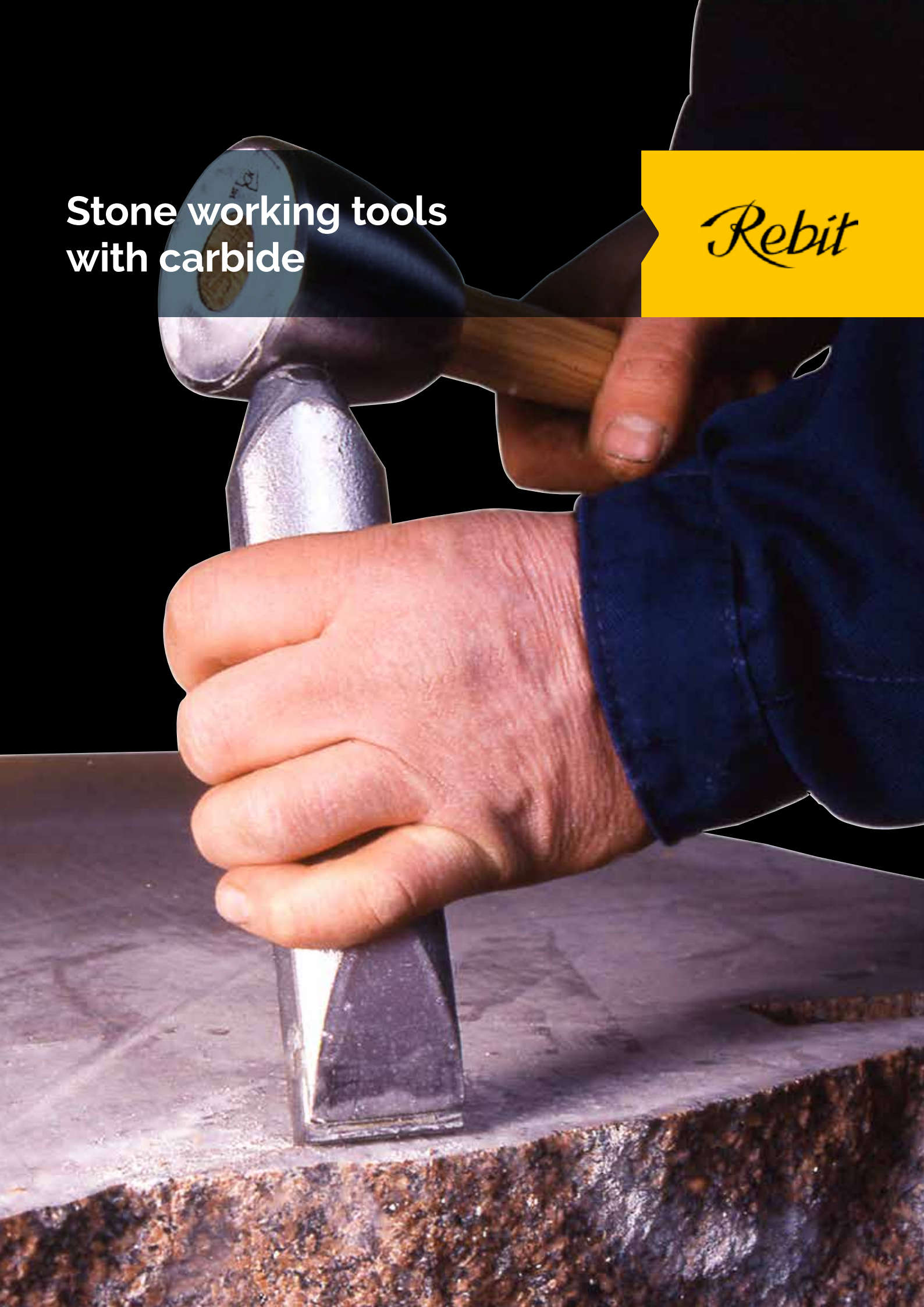


Stone working tools
with carbide

Rebit





Stone working tools with carbide

Introduction	4
Masonry tools for hand use	5
Carving tools for hand use	6
Carving chisels and bushing tools for machines	6
Plughole drills	11
Miscellaneous products	11
Guide shank groups	12
BHV stone worker	13



Photo: Naturstenskompaniet

Introduction



Rebit has been making quality stone masonry and stone carving tools since 1945 under the name Rebit. Our line of professional stone working tools is renowned worldwide thanks to their excellent quality and to the company's expertise and flexibility. Through testing of our tools and developing new products, we have created a special tungsten carbide grade that matches the toughest needs of the stone industry.

Our product range:

- Hand tools as pitching tools and tracer chisels for squaring and trimming granite blocks into shape.
- Bushhammers for roughing up stone surfaces where the finish depends on the size and shape of the hammer buttons.
- Chisels such as carving chisels for detailed stone shaping and carving.
- Our range of BHV stone working hammers. Specially designed to match Rebit tools.




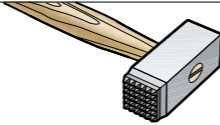
If you are unable to find tools of your choice, don't hesitate to contact us. We will be pleased to help you.

Masonry tools for hand use

Description	Product No.	Product code	Width, mm	Length, mm	Weight, approx. kg	Tools
Pitching tool oval body	81000012	SM40-O	40	190	1.3	
Pitching tool oval body	81000024	SM50-O	50	190	1.4	
Pitching tool round body	81000013	SM40-R	40	190	1.1	
Pitching tool round body	81000024	SM50-R	50	190	1.4	
Pitching tool hexagon body	81000014	SM40-H-F	40	245	1.2	
Pitching tool octagon body	81000015	SM20	20	150	0.2	
Pitching tool hexagon body	81000017	SM40-HEX	40	190	0.9	
Tracer tool oval body	81000018	RIM38-O	38	190	1.3	
Tracer tool oval body	810000210	RIM50-O	50	190	1.4	
Tracer tool round body	81000019	RIM38-R	38	190	1.1	
Tracer tool round body	810000225	RIM50-R	50	190	1.4	
Hand chisel octagon body	81000041	HM12	12	185	0.3	
Hand chisel octagon body	81000043	HM16	16	185	0.3	
Hand chisel octagon body	81000045	HM20	20	190	0.6	
Hand chisel octagon body	81000046	HM25	25	190	0.7	
Hand point octagon body	81000054	PKM19	9	190	0.4	
Hand point octagon body	81000055	PKM19,240	9	240	0.6	
Hand point octagon body	81000056	PKM22	9	190	0.6	
Hand point octagon body	81000057	PKM25	9	190	0.7	
Hand point octagon body	81000058	PKM25,290	9	290	0.9	



Carving tools for hand use

Description	Product No.	Product code	Width, mm	Length, mm	Weight, approx. kg	Tools
Hand carving chisel	81000037	GM5	5	170	0.2	
Hand carving chisel	81000038	GM8	8	170	0.2	
Hand carving chisel	81000039	GM10	10	170	0.2	
Hand carving chisel	81000040	GM12	12	170	0.2	
Hand pointed chisel	81000053	SPM		200	0.2	
Handheld bushhammer	81000060	GH25K-25T	25x25	Ø25	0.7	
Handheld bushhammer	81000061	GH35K-36T	35x35	36	0.8	
Handheld bushhammer	81000062	GH40K-64T	40x40	64	1.8	

Carving chisels and bushing tools for machines






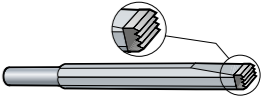
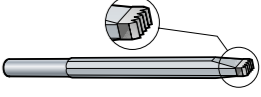
Description	Product No.	Product code	Width, mm	Length, mm	Weight, approx. kg	Tools
For BHV12, BHV16 and BHV22 pneumatic hammers (round shank 12.5 x 45 mm A)						
Machine carving chisel	81000033	GM5-A	5	220	0.2	
Machine carving chisel	81000034	GM8-A	8	220	0.2	
Machine carving chisel	81000035	GM10-A	10	220	0.2	
Machine carving chisel	81000036	GM12-A	12	220	0.2	
Hand pointed chisel	81000052	SPM-A		200	0.2	
Hand pointed chisel	81000059	DB4S-A	4	210	0.2	
Machine carving chisel	81000029	BM16-A	16	220	0.3	
Machine carving chisel	81000031	BM20-A	20	220	0.4	

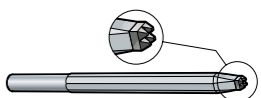
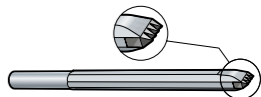
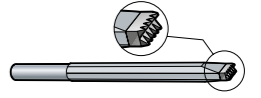
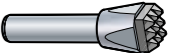
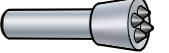


Photo: Naturstenskompagniet

Carving chisels and bushing tools for machines

Description	Product No.	Product code	Head, mm	No. of teeth	Length, mm	Weight, approx. kg	Tools
For BHV12, BHV16 and BHV22 pneumatic hammers (round shank 12.5 x 45 mm A)							
Bushing tool	81000004	RFM-4E-A	10x15	4	185	0.2	
Bushing tool	81000007	RFM-4E-10-A	10x10	4	200	0.2	
Bushing tool	81000005	RFM-5E-A	7x13	5	200	0.3	


Carving chisels and bushing tools for machines

Description	Product No.	Product code	Head, mm	No. of teeth	Length, mm	Weight, approx. kg	Tools
For BHV12, BHV16 and BHV22 pneumatic hammers (round shank 12.5 x 45 mm A)							
Bushing tool	81000001	KRS-4T-A	7x7	4	200	0.2	
Bushing tool	81000002	KRS-9T-A	7x7	9	200	0.2	
Bushing tool	81000243	KRS-9T-A, 11x11	11x11	9	200	0.2	
Bushing tool	81000003	KRS-16T-A	11x11	16	200	0.2	
Bushing tool	81000008	KRM-4T-A	3x12	4	200	0.2	
Bushing tool	81000010	TM-10T-A	6x14	10	200	0.2	
Bushing tool	81000011	TM-15T-A	8x14	15	200	0.2	
Bushhammer	81000063	KHK11-9T-A	11x11	9	85	0.2	
Bushhammer	81000064	KHK14-4T-A	14x14	4	85	0.2	
Bushhammer	81000065	KHK14-9T-A	14x14	9	85	0.2	
Bushhammer	81000066	KHK14-16T-A	14x14	16	85	0.2	
Bushhammer	81000067	KHK18-9T-A	18x18	9	85	0.2	
Bushhammer	81000068	KHK18-16T-A	18x18	16	85	0.2	
Bushhammer	81000069	KHK18-25T-A	18x18	25	85	0.2	
Bushhammer	81000076	KHR20-4S-A	Ø20	4	70	0.2	
Bushhammer	81000078	KHR35-12S-A	Ø35	12	70	0.2	

Carving chisels and bushing tools for machines

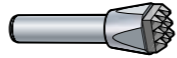
Description	Product No.	Product code	Width, mm	Length, mm	Weight, approx. kg	Tools
-------------	-------------	--------------	-----------	------------	--------------------	-------

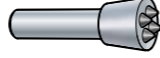
For BHV26 pneumatic hammers (round shank 15.5 x 50 mm D)

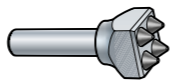
Machine carving chisel	81000030	BM16-D	16	220	0.4	
Machine carving chisel	81000032	BM20-D	20	220	0.4	

Description	Product No.	Product code	Head, mm	No. of teeth	Length, mm	Weight, approx. kg	Tools
-------------	-------------	--------------	----------	--------------	------------	--------------------	-------

For BHV26 pneumatic hammers (round shank 15.5 x 50 mm D)

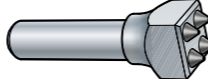
Bushhammer	81000070	KHK14-4T-D	14x14	4	85	0.2	
Bushhammer	81000071	KHK14-9T-D	14x14	9	85	0.2	
Bushhammer	81000072	KHK14-16T-D	14x14	16	85	0.2	
Bushhammer	81000073	KHK18-9T-D	18x18	9	85	0.2	
Bushhammer	81000074	KHK18-16T-D	18x18	16	85	0.2	
Bushhammer	81000075	KHK18-25T-D	18x18	25	85	0.2	

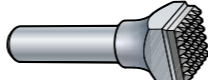
Bushhammer	81000077	KHR20-4S-D	Ø20	4	70	0.2	
Bushhammer	81000079	KHR35-12S-D	Ø35	12	75	0.2	

Bushhammer	81000244	KHK35-4S-D	35x35	4	85	0.3	
Bushhammer	81000245	KHK35-8S-D	35x35	8	85	0.3	
Bushhammer	81000137	KHK35-9S-D	35x35	9	85	0.3	
Bushhammer	81000138	KHK35-16S-D	35x35	16	85	0.3	

Description	Product No.	Product code	Head, mm	No. of teeth	Length, mm	Weight, approx. kg	Tools
-------------	-------------	--------------	----------	--------------	------------	--------------------	-------

For BHV30 pneumatic hammers (round shank 23 x 74 mm E)

Bushhammer	81000084	KHK35-4S-E	35x35	4	110	0.7	
Bushhammer	81000085	KHK35-5S-E	35x35	5	110	0.7	
Bushhammer	81000086	KHK35-9S-E	35x35	9	110	0.7	
Bushhammer	81000087	KHK40-16S-E	40x40	16	110	0.7	
Bushhammer	81000088	KHK40-25S-E	40x40	25	110	0.7	

Bushhammer	81000089	KHK40-36T-E	40x40	36	110	0.8	
Bushhammer	81000090	KHK40-64T-E	40x40	64	110	0.8	
Bushhammer	81000091	KHK40-100T-E	40x40	100	110	0.8	

Description	Product No.	Product code	Width, mm	Length, mm	Weight, approx. kg	Tools
-------------	-------------	--------------	-----------	------------	--------------------	-------


Carbide tracer chisel for Epiroc RRD57 (round shank 17 x 60 mm with splines Q)

Machine tracer chisel	81000021	RIM38-Q	38	185	0.8	
-----------------------	----------	---------	----	-----	-----	---

Carving chisels and bushing tools for machines

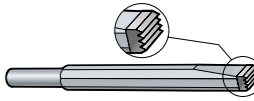
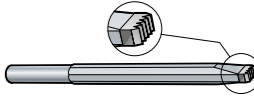
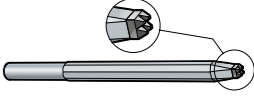
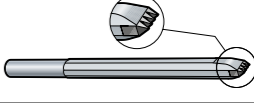
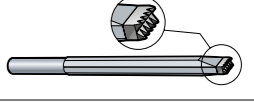
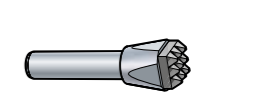

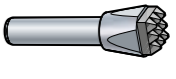
Description	Product No.	Product code	Width, mm	Length, mm	Weight, approx. kg	Tools
-------------	-------------	--------------	-----------	------------	--------------------	-------

For Frölich-Klüpfel (round shank 10.2 x 36 mm B)

Machine carving chisel	81000173	GM5-B	5	220	0.2	
Machine carving chisel	81000174	GM8-B	8	220	0.2	
Machine carving chisel	81000175	GM10-B	10	220	0.2	
Machine carving chisel	81000176	GM12-B	12	220	0.2	

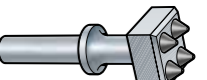
Description	Product No.	Product code	Head, mm	No. of teeth	Length, mm	Weight, approx. kg	Tools
-------------	-------------	--------------	----------	--------------	------------	--------------------	-------

For Frölich-Klüpfel (round shank 10.2 x 36 mm B)

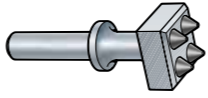
Bushing tool	81000228	RFM-4E-B	10x15	4	185	0.2	
Bushing tool	81000169	RFM-5E-B	7x13	5	200	0.2	
Bushing tool	81000170	KRS-9T-B	7x7	9	200	0.2	
Bushing tool	81000229	KRS-16T-B	11x11	16	200	0.2	
Bushing tool	81000221	KRM-4T-B	3x12	4	200	0.2	
Bushing tool	81000220	TM-10T-B	6x14	10	200	0.2	
Bushing tool	81000227	TM-15T-B	8x14	15	200	0.2	
Bushhammer	81000231	KHK14-4T-B	14x14	4	85	0.2	
Bushhammer	81000223	KHK14-9T-B	14x14	9	85	0.2	
Bushhammer	81000232	KHK14-16T-B	14x14	16	85	0.2	
Bushhammer	81000171	KHK18-9T-B	18x18	9	85	0.2	
Bushhammer	81000172	KHK18-16T-B	18x18	16	85	0.2	

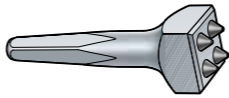
Description	Product No.	Product code	Head, mm	No. of teeth	Length, mm	Weight, approx. kg	Tools
-------------	-------------	--------------	----------	--------------	------------	--------------------	-------


Bushing tools with collar for Pellegrini machine (round shank 15.5 x 55 mm K)

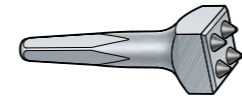
Bushhammer	81000109	KHK35-2S-K	35x35	2	110	0.4	
Bushhammer	81000110	KHK35-4S-K	35x35	4	110	0.4	
Bushhammer	81000111	KHK35-8S-K	35x35	8	110	0.4	
Bushhammer	81000112	KHK35-9S-K	35x35	9	110	0.4	
Bushhammer	81000113	KHK35-16S-K	35x35	16	110	0.4	
Bushhammer	81000114	KHK35-64T-K	35x35	64	110	0.4	


Carving chisels and bushing tools for machines

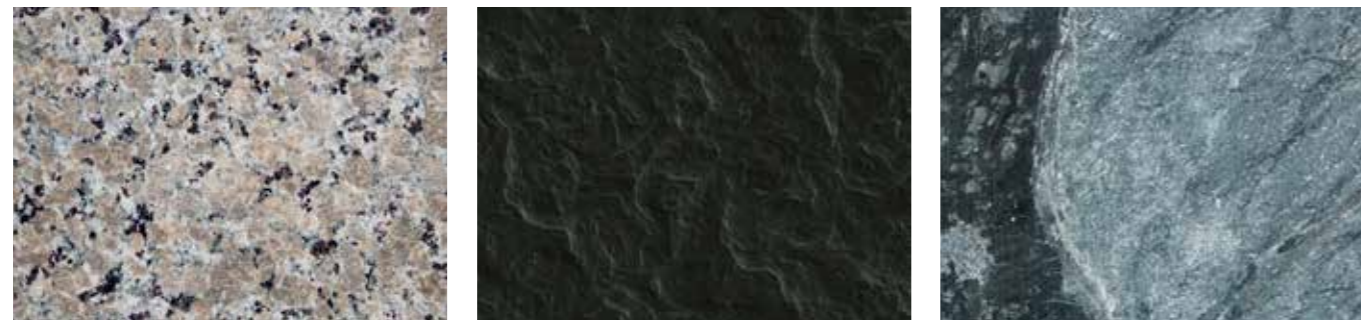
Description	Product No.	Product code	Head, mm	No. of teeth	Length, mm	Weight, approx. kg	Tools
Bushing tools with collar for Pellegrini machine (round shank 18 x 57 mm M)							
Bushhammer	81000115	KHK40-4S-M	40x40	4	110	0.6	
Bushhammer	81000116	KHK40-8S-M	40x40	8	110	0.6	
Bushhammer	81000215	KHK40-9S-M	40x40	9	110	0.6	
Bushhammer	81000145	KHK40-16S-M	40x40	16	110	0.6	

Description	Product No.	Product code	Head, mm	No. of teeth	Length, mm	Weight, approx. kg	Tools
For Böhler (E115), M40, M50, M60K, KL69, KL70 (conical shank E115 J)							
Bushhammer	81000100	KHK40-4S-J	40x40	4	150	0.8	
Bushhammer	81000101	KHK40-9S-J	40x40	9	150	0.8	
Bushhammer	81000102	KHK40-16S-J	40x40	16	150	0.8	
Bushhammer	81000103	KHK40-25S-J	40x40	25	150	0.8	
Bushhammer	81000104	KHK40-36T-J	40x40	36	150	0.8	

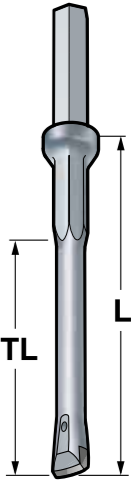
Description	Product No.	Product code	Width, mm	Length, mm	Weight, approx. kg	Tools
Tracer chisel for Böhler (E115), M40, M50, M60K, KL69, KL70 (conical shank E115 J)						
Machine tracer chisel	81000238	RIM38-J	38	180	0.7	

Description	Product No.	Product code	Head, mm	No. of teeth	Length, mm	Weight, approx. kg	Tools
For Böhler (E13.9), M40, M50, M60K, KL69, KL70 (conical shank E13.9 H)							
Bushhammer	81000233	KHK40-16S-H	40x40	16	150	0.8	

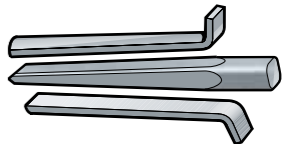
Description	Product No.	Product code	Width, mm	Length, mm	Weight, approx. kg	Tools
Tracer chisel for Böhler (E115), M40, M50, M60K, KL69, KL70 (conical shank E115 J)						
Machine tracer chisel	81000020	RIM38-H	38	185	0.7	

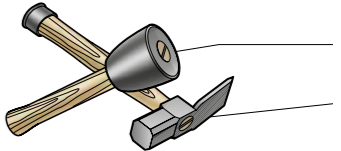


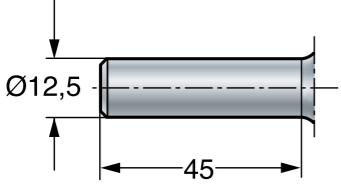
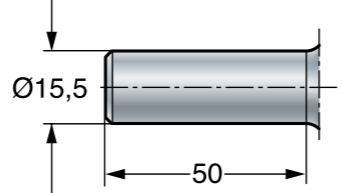
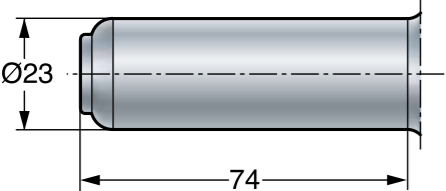
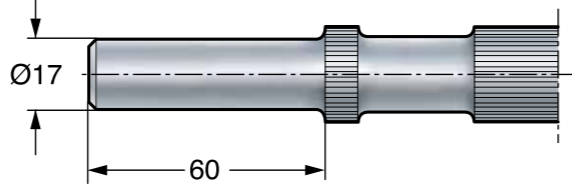
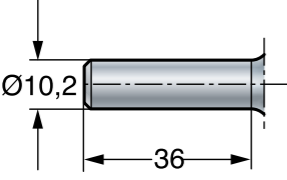
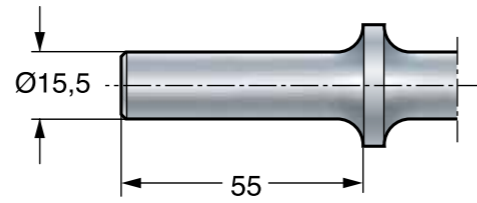
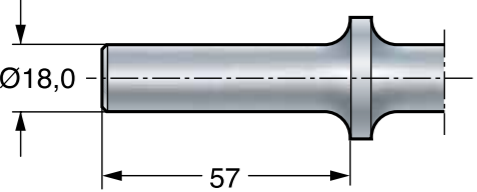
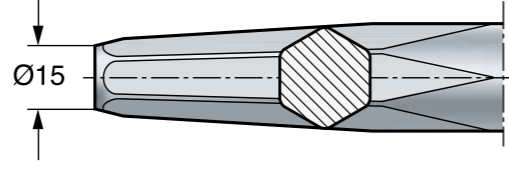
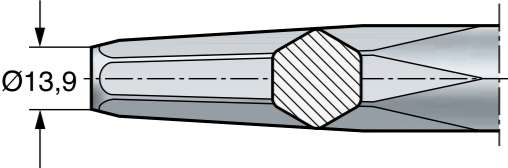
Plughole drills

Description	Shank, diameter, mm	Product No.	Product code	Width, mm	L Length mm	TL Turned length mm	Weight, ca. kg	Product
Plughole drills	19x108	81000151	721-2117-15	17	210	150	0.6	
Plughole drills	19x108	81000152	721-2120-15	20	210	150	0.7	
Plughole drills	19x108	81000153	721-2122-15	22	210	150	0.7	
Plughole drills	19x108	81000154	721-3120-25	20	310	250	0.8	
Plughole drills	19x82,5	81000155	722-2117-15	17	210	150	0.6	
Plughole drills	19x82,5	81000156	722-2120-15	20	210	150	0.7	
Plughole drills	19x82,5	81000157	722-2122-15	22	210	150	0.7	
Plughole drills	19x82,5	81000158	722-3120-25	20	310	250	0.8	
Plughole drills	22x108	81000159	711-2117-15	17	210	150	0.8	
Plughole drills	22x108	81000160	711-2120-15	20	210	150	0.8	
Plughole drills	22x108	81000161	711-2122-15	22	210	150	0.8	
Plughole drills	22x108	81000150	711-2522-19	22	250	190	0.9	
Plughole drills	22x108	81000162	711-3120-25	20	310	250	1.0	

Miscellaneous products

Description	Product No.	Product code	For hole, mm	Wedge length, mm	Weight, approx. kg	Product
Plug and feathers	80000516	2071-2072	20-22	180	0.3	

Description	Product No.	Product code	Weight, approx. kg	Product
Round hammer	80000601	1031-07	0.7	
Round hammer	80000521	1031-1,2	1.2	
Stone setting hammer	80000520	1030	1.4	

<p>A</p>  <p>Ø12,5 45</p> <p>REBIT BHV 12, BHV 16, BHV 22</p>	<p>D</p>  <p>Ø15,5 50</p> <p>REBIT BHV 26</p>
<p>E</p>  <p>Ø23 74</p> <p>REBIT BHV 30</p>	<p>Q</p>  <p>Ø17 60</p> <p>ATLAS COPCO RRD 37-57</p>
<p>B</p>  <p>Ø10,2 36</p> <p>FROLICH-KLUPFEL</p>	<p>K</p>  <p>Ø15,5 55</p> <p>PELLEGRINI</p>
<p>M</p>  <p>Ø18,0 57</p> <p>PELLEGRINI</p>	<p>J</p>  <p>Ø15</p> <p>BÖHLER (E115), M40, M50, M60K, KL69, KL70</p>
<p>H</p>  <p>Ø13,9</p> <p>BÖHLER (E13.9), M40, M50, M60K, KL69, KL70</p>	

Rebit BHV stone worker

Rebit BHV stone worker is designed for stone masonry and stone carving tools. This pneumatic stone carving hammer is available in five models where cylinder diameters and stroke lengths vary.

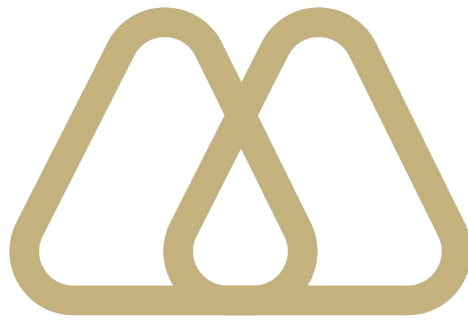
The BHV 12 and BHV 16 are the smallest of the range and are aimed at tools for detailed stone work such as carving and bushing. The BHV 26 is the second largest and is aimed at bush hammers with big buttons.

Finally, the BVH 30 can use larger tools for squaring, trimming, splitting and roughing larger areas; this hammer should be jack-leg mounted.



BHV stone worker

Product No.	Product code	Piston diameter, mm	Stroke length, mm	Strokes/min	Air consumpt. m ³ /min	Length, mm	Weight, approx. kg	Tube diameter, mm	Shank, mm
81000121	BHV 12	12	24	6 500	0.15	150	0.7	9.5	12.6x47
81000123	BHV 16	16	27	5 600	0.20	165	0.9	9.5	12.6x47
81000126	BHV 26	26	35	4 000	0.40	205	2.0	9.5	15.7x47
81000127	BHV 30	30	55	3 000	0.70	300	6.0	12.5	23.0x74



MONARK
ROCK DRILLING TOOLS

E-mail:
info@monark-no.com
orders@monark-no.com

Monark AS
Hvitvingfossveien 473
3090 Hof, Norway
+47 330 95 000

Ockelbo Drilling Tools AB
Hamrångevägen 25,
816 31 Ockelbo - Sweden
+46 297 55788